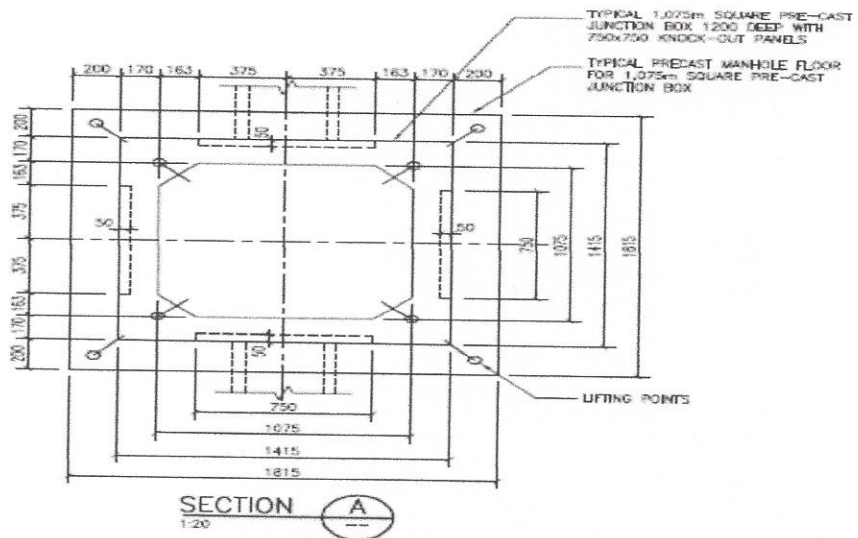
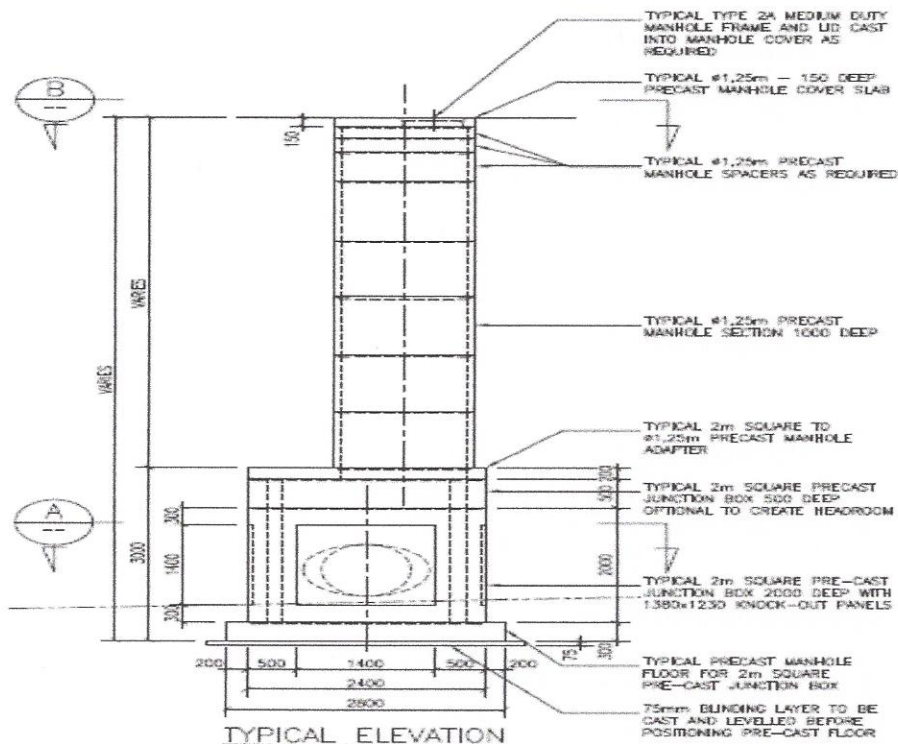


TYPICAL ELEVATION
 1-20
 SHOWING TYPICAL PRE-CAST UPSTAND
 AROUND MANHOLE OPENING

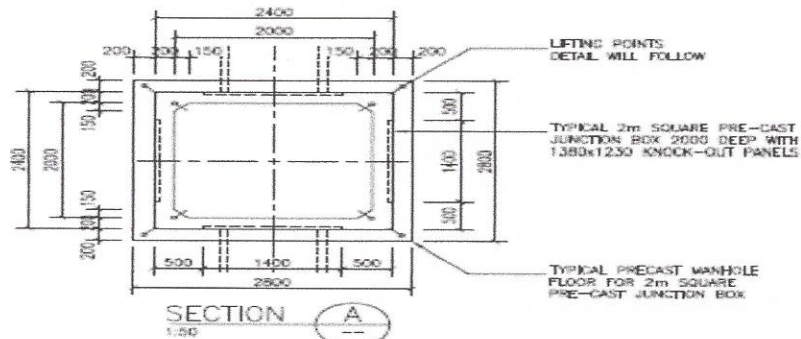


SECTION A
 1-20

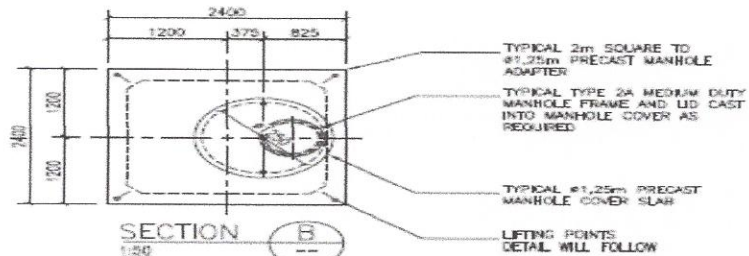


TYPICAL ELEVATION

1:10
PLAN SHOWING TYPICAL TYPE A MANHOLE COVER AND FRAME



SECTION A
1:50



SECTION B
1:50

PLAN SHOWING TYPICAL TYPE A MANHOLE COVER AND FRAME

TYPICAL STORMWATER MANHOLE